



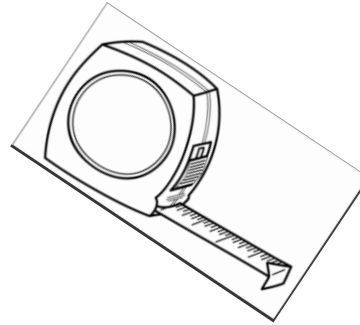
Englewood Flyer

December 12, 2019

Breathing Tool

"I can calm myself and check in."

It is difficult to learn, relate to others, or know oneself without the healthy ability to practice inner-calm and self-reflection. Attention to breathing is key to self-control, understanding, and genuine connection with others.



Farewell To Our Trees

Several trees on the south side of the school grounds are sick and dying. They are located near the trash and parking lot. To avoid damage to property and spreading disease the decision has been made to remove the trees but the stumps will remain. We sadly say goodbye to our old friends.

Important Dates

December

- 13 Disney Dress up day
- 23-Jan 3 Winter Break

January

- 6 Back to School
- 9 Parent Teacher Club (PTC), Englewood Library, 6:00-7:00 All parents welcome. Child care provided.
- 17 Class Color Dress Up Day

Disney Dress Up Day

Friday, December 13th



Be Safe

Englewood Staff are seeing an increase in unsafe driving and pedestrian behavior during drop off and pick up, before and after school. Please use the cross walks, do not U-turn anywhere near the school and carefully follow drop off and pick up procedure. Often these actions are taken by people feeling they are in a hurry but it will not be worth it if vehicles are damaged or a person gets hurt.



December Coin Drive

Now thru December 19th

If each student brought just \$1 worth of change we would have \$373 to donate to the Marion Polk Food Share. That would be more than double what we donated last year. A little bit goes a long way!



Panorama Survey

Our district values your feedback!

We would like to invite you to take a brief **anonymous** survey and tell us about your experience at Englewood. **We want to know what you think!**

The survey is open now through December 20th. Once you access the survey, select Englewood from the dropdown menu, select the survey language and you'll be ready to go. This important survey will take 10-15 minutes.

We thank you in advance for your responses. If you have any questions about the survey don't hesitate to contact us at 503-399-3143.

<https://surveys.panoramaed.com/salemkeizer/familysurvey>

Thank You!

